



Paulmann

Safety Instructions

1, 2, 3, 4, 5, 6, 7, 10, 12, 14, 16, 17, 18,
19, 20, 24, 28, 33, 34



Info

www.paulmann.com

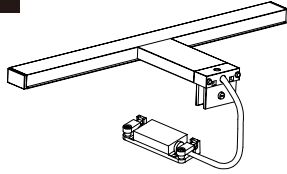
Paulmann Licht GmbH
Quezinger Feld 2
31832 Springe
Germany

www.paulmann.com

Art.-Nr.: 789.50
930.16



(+MA 326) PPP 05/20



1x



1x



1x



2x



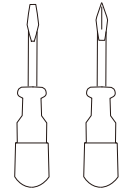
2x



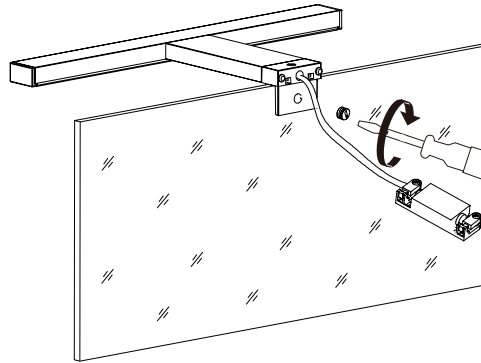
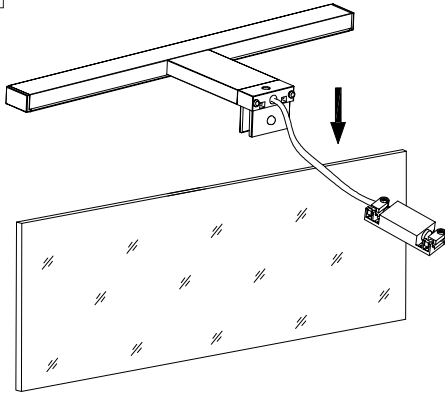
2x



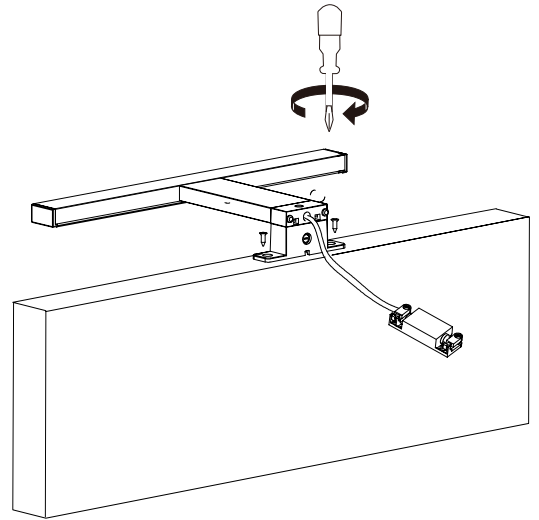
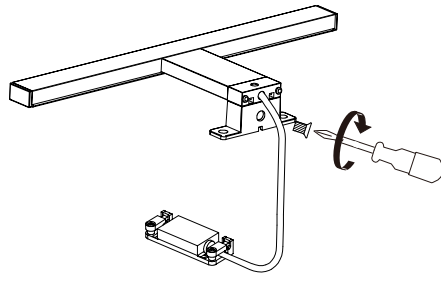
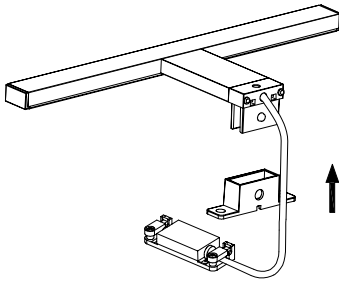
1x



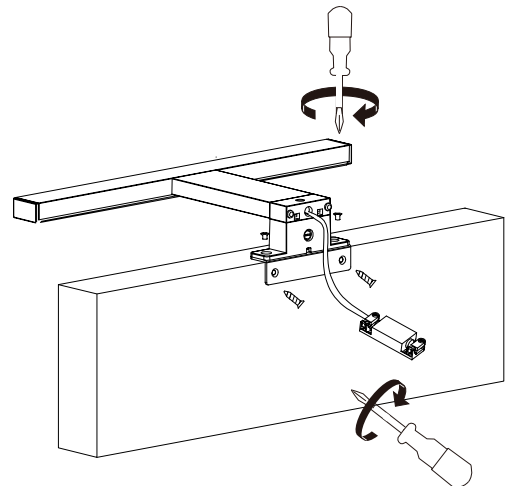
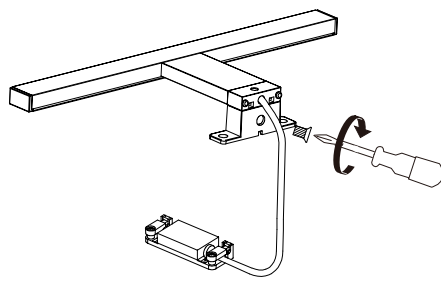
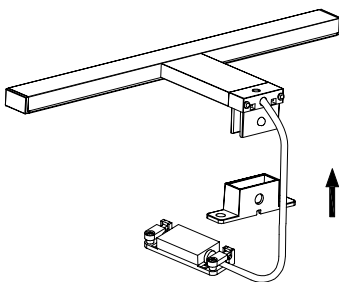
A1 A2 A3

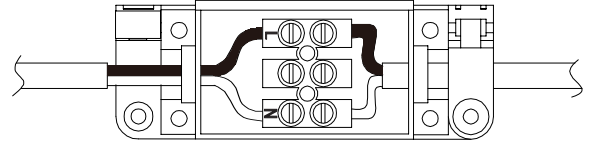
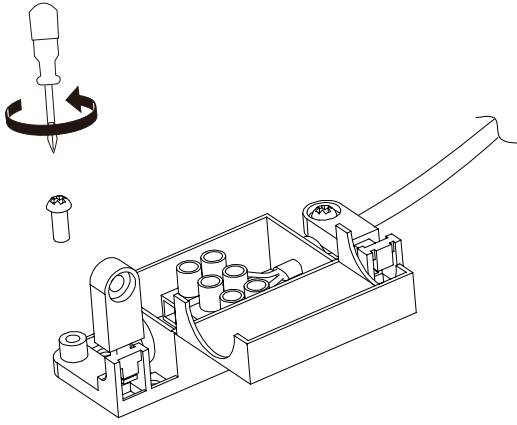
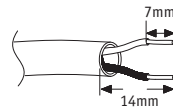


A1 A2 A3

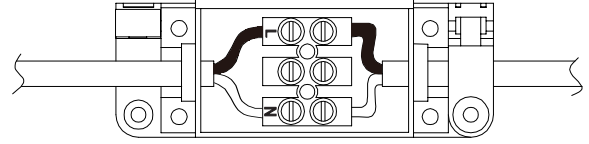
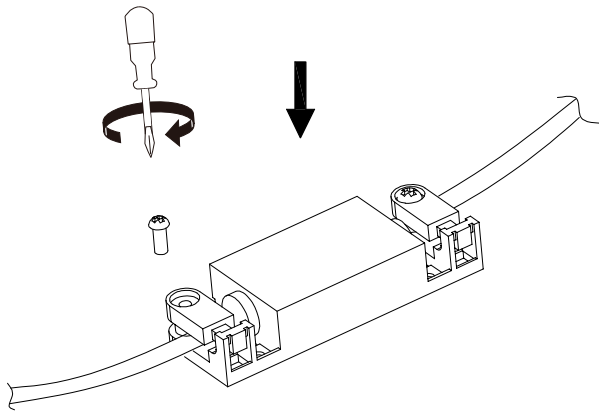


A1 A2 A3



B**Safety Instructions**
Nr. 3, 4, 5, 6

230V~

**C****D**