

Report No.:

Test Time: 2019/11/3 9:57:50

LUMINAIRE PHOTOMETRIC TEST REPORT

Luminaire Property

Manufacturer:
 Luminaire Type: MD18002-600
 Lamp Type:
 Luminous Width: 0 mm
 Luminous Length: 0 mm
 Luminous Height: 0 mm

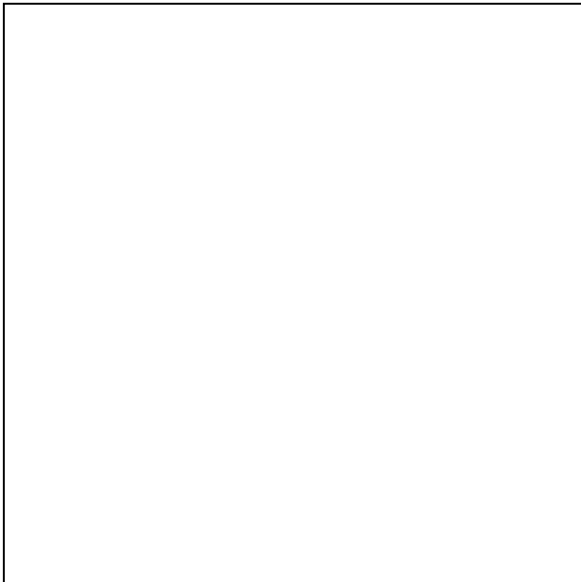
Voltage(V): 220.28 V
 Current(A): 0.2090 A
 Power(W): 45.36 W
 Power Factor: 0.9830
 Lamp Luminous Flux: 2919.21

Photometric Results

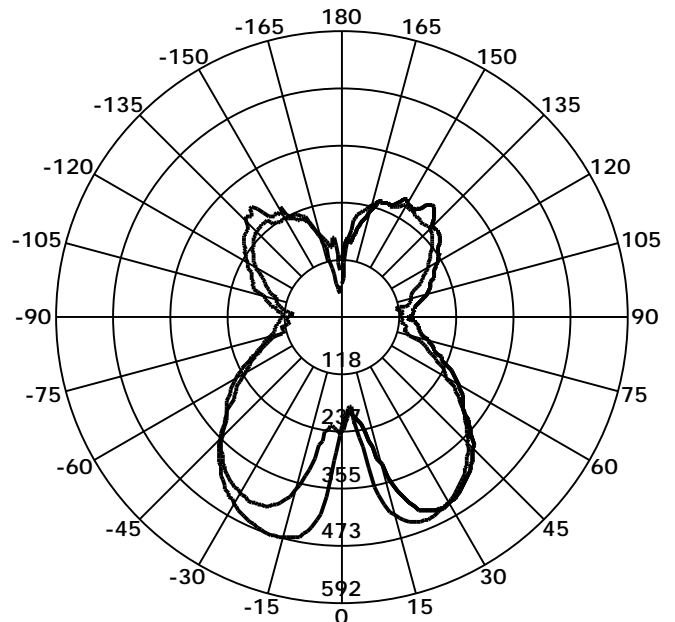
CIE Class: Direct
 Luminaire Luminous Flux: 2919.207
 Downward Ratio: 57.52%
 Luminaire Efficacy Rating(LER): 64.35 lm/W
 Beam Angle(50%Imax): L=-15.50 R=43.42
 Field Angle(10%Imax): L=0.00 R=162.51

Max. Intensity: 473.21 cd
 Max.Intensity Angle: C=270 Gamma=17
 Upward Ratio: 42.48%
 Efficacy: 100.00%
 Center Intensity: 237.47 cd

Picture of Luminaire



Luminous Intensity Distribution Curve



Beam Angle(50%Imax): 58.93 deg

C0-180 ——— C90-270 ———

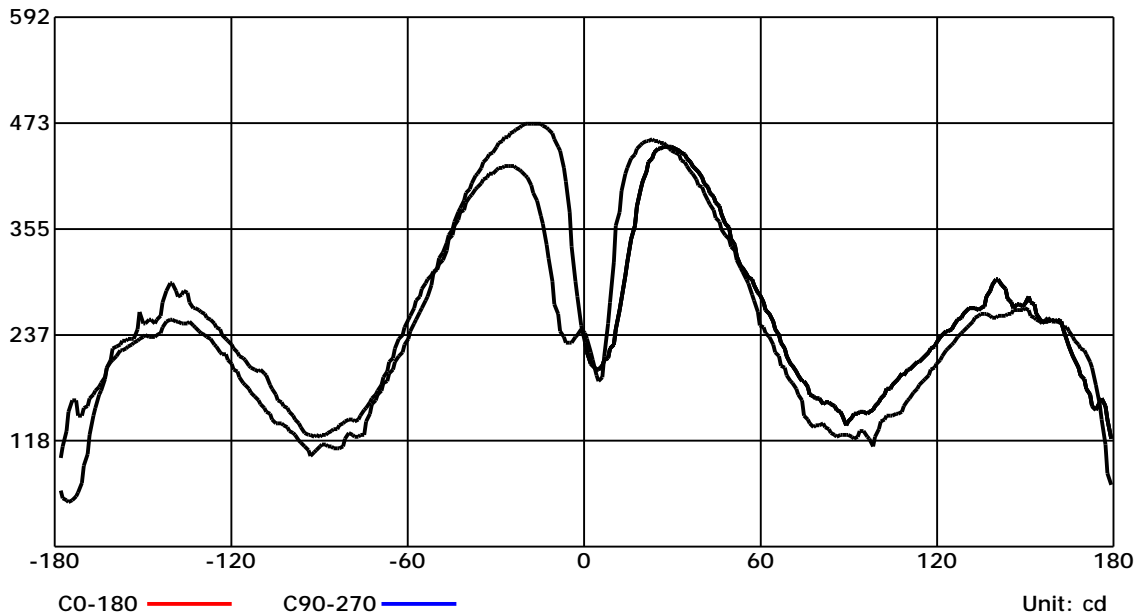
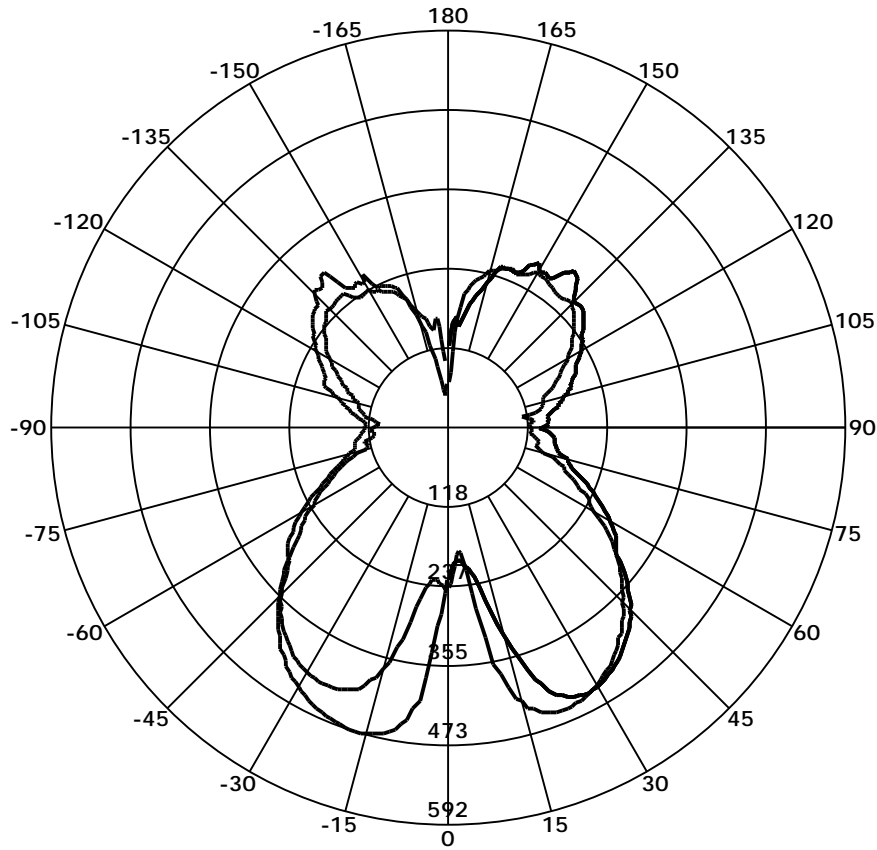
C Range: 0 - 360 Deg
 C Interval: 45.0 Deg
 Test Speed: High
 Temperature:
 Operators:
 Test Date: 2019/11/3 9:57:50

G Range: 0 - 180 Deg
 G Interval: 1.0 Deg
 Test System: Huipu CPM-1800B Goniophotometer
 Humidity:
 Test Distance: 5.95 m
 Remarks:

Report No.:

Test Time: 2019/11/3 9:57:50

Luminous Intensity Distribution Curve



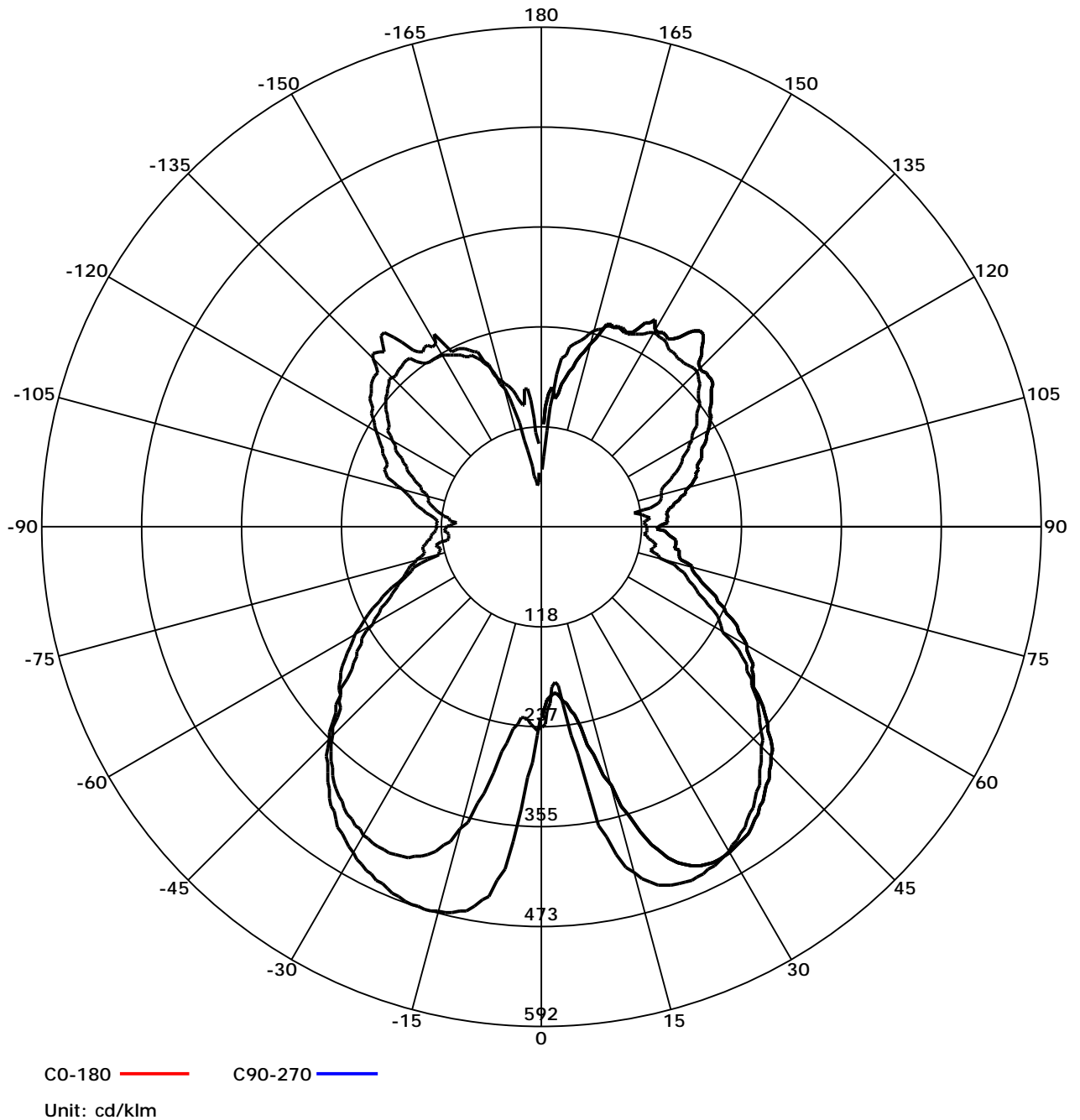
C Range: 0 - 360 Deg
 C Interval: 45.0 Deg
 Test Speed: High
 Temperature:
 Operators:
 Test Date: 2019/11/3 9:57:50

G Range: 0 - 180 Deg
 G Interval: 1.0 Deg
 Test System: Huipu CPM-1800B Goniophotometer
 Humidity:
 Test Distance: 5.95 m
 Remarks:

Report No.:

Test Time: 2019/11/3 9:57:50

Luminous Intensity Distribution Curve



C Range: 0 - 360 Deg
 C Interval: 45.0 Deg
 Test Speed: High
 Temperature:
 Operators:
 Test Date: 2019/11/3 9:57:50

G Range: 0 - 180 Deg
 G Interval: 1.0 Deg
 Test System: Huipu CPM-1800B Goniophotometer
 Humidity:
 Test Distance: 5.95 m
 Remarks:

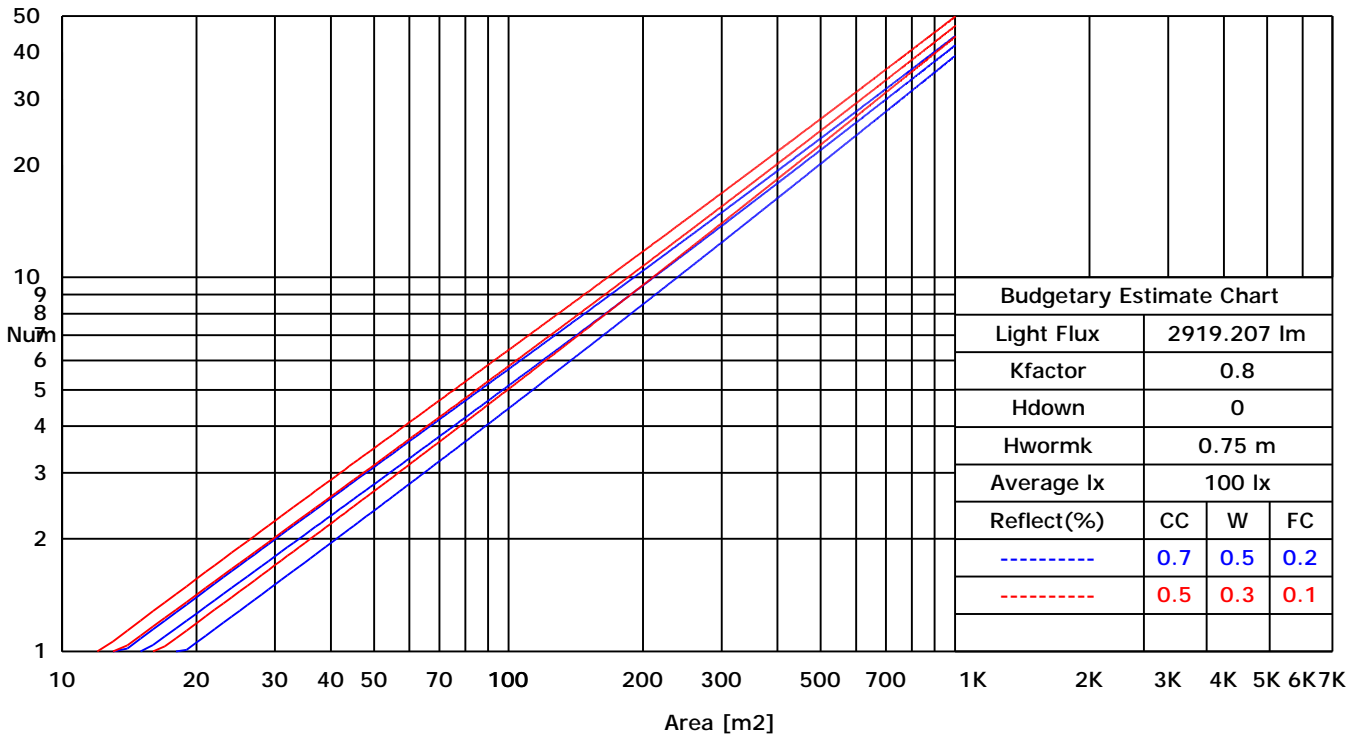
Report No.:

Test Time: 2019/11/3 9:57:50

UTILIZATION FACTORS TABLE

RHOCC	80			70			50			30			10			0
RHOW	50	30	10	50	30	10	50	30	10	50	30	10	50	30	10	0
RCR	COEFFICIENTS OF UTILIZATION FOR RHOFC=20															
0	1.19	1.19	1.19	1.16	1.16	1.16	1.11	1.11	1.11	1.06	1.06	1.06	1.02	1.02	1.02	1.00
1	1.07	1.06	1.05	1.06	1.04	1.03	1.02	1.00	0.98	0.97	0.95	0.93	0.90	0.88	0.86	0.81
2	0.98	0.96	0.95	0.97	0.95	0.93	0.94	0.91	0.89	0.90	0.87	0.84	0.85	0.81	0.79	0.74
3	0.91	0.89	0.87	0.90	0.87	0.86	0.88	0.84	0.82	0.84	0.81	0.78	0.80	0.76	0.73	0.68
4	0.85	0.83	0.82	0.85	0.82	0.80	0.82	0.79	0.77	0.80	0.76	0.73	0.76	0.72	0.68	0.64
5	0.81	0.79	0.78	0.80	0.78	0.76	0.78	0.75	0.72	0.76	0.72	0.69	0.73	0.68	0.65	0.61
6	0.77	0.75	0.74	0.76	0.74	0.72	0.75	0.72	0.69	0.73	0.69	0.66	0.70	0.66	0.62	0.58
7	0.74	0.72	0.71	0.73	0.71	0.70	0.72	0.69	0.66	0.70	0.66	0.63	0.68	0.63	0.59	0.56
8	0.71	0.70	0.69	0.71	0.69	0.67	0.70	0.66	0.64	0.68	0.64	0.61	0.66	0.61	0.57	0.54
9	0.69	0.68	0.67	0.69	0.67	0.65	0.67	0.64	0.62	0.66	0.62	0.59	0.64	0.59	0.56	0.53
10	0.67	0.66	0.65	0.67	0.65	0.64	0.66	0.63	0.61	0.64	0.60	0.57	0.62	0.58	0.54	0.51

LUMINAIRE BUDGETARY ESTIMATE DIAGRAM



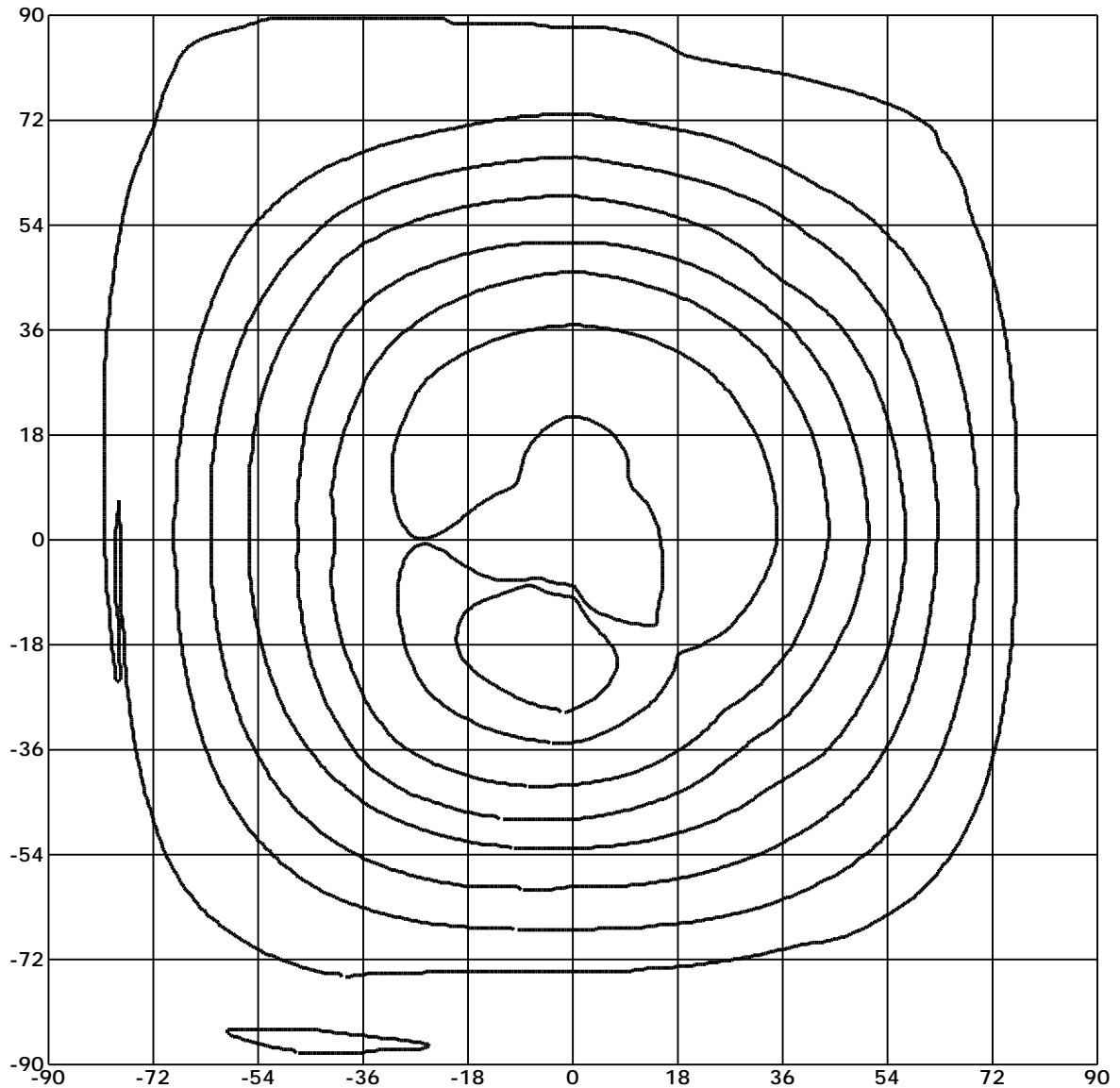
C Range: 0 - 360 Deg
 C Interval: 45.0 Deg
 Test Speed: High
 Temperature:
 Operators:
 Test Date: 2019/11/3 9:57:50

G Range: 0 - 180 Deg
 G Interval: 1.0 Deg
 Test System: Huipu CPM-1800B Goniophotometer
 Humidity:
 Test Distance: 5.95 m
 Remarks:

Report No.:

Test Time: 2019/11/3 9:57:50

ISOCANDELA DIAGRAM (RECTANGULAR)



Unit of intensity:cd I_{max}(100%): 473.213 cd

— 449.552(95%I _{max})	— 236.606(50%I _{max})
— 425.892(90%I _{max})	— 189.285(40%I _{max})
— 378.57(80%I _{max})	— 141.964(30%I _{max})
— 331.249(70%I _{max})	— 94.643(20%I _{max})
— 283.928(60%I _{max})	— 47.321(10%I _{max})

C Range: 0 - 360 Deg

C Interval: 45.0 Deg

Test Speed: High

Temperature:

Operators:

Test Date: 2019/11/3 9:57:50

G Range: 0 - 180 Deg

G Interval: 1.0 Deg

Test System: Huipu CPM-1800B Goniophotometer

Humidity:

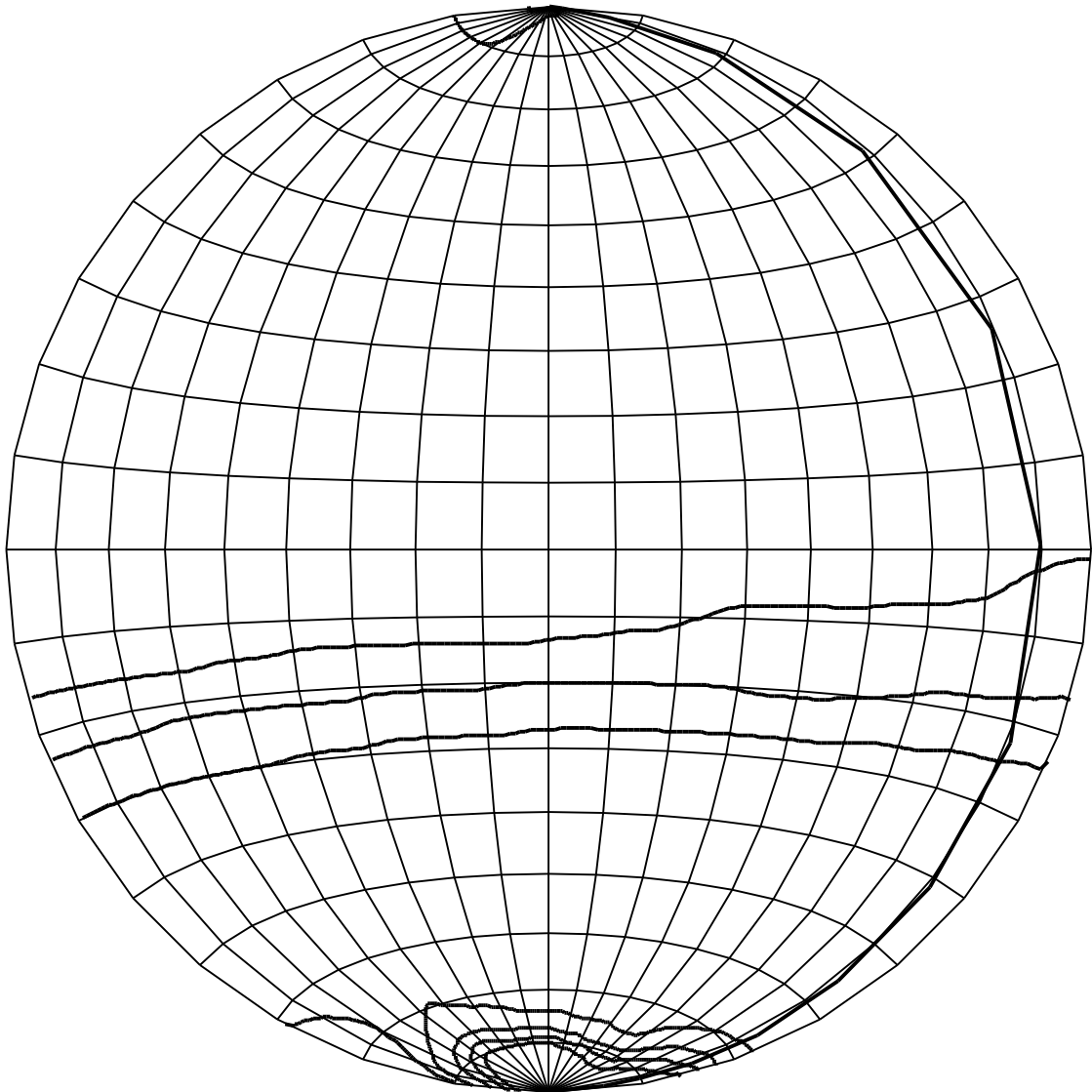
Test Distance: 5.95 m

Remarks:

Report No.:

Test Time: 2019/11/3 9:57:50

ISOCANDELA DIAGRAM (SPHERE)



Unit of intensity:cd I_{max}(100%): 473.213 cd

— 449.552(95%I _{max})	— 236.606(50%I _{max})
— 425.892(90%I _{max})	— 189.285(40%I _{max})
— 378.57(80%I _{max})	— 141.964(30%I _{max})
— 331.249(70%I _{max})	— 94.643(20%I _{max})
— 283.928(60%I _{max})	— 47.321(10%I _{max})

C Range: 0 - 360 Deg

C Interval: 45.0 Deg

Test Speed: High

Temperature:

Operators:

Test Date: 2019/11/3 9:57:50

G Range: 0 - 180 Deg

G Interval: 1.0 Deg

Test System: Huipu CPM-1800B Goniophotometer

Humidity:

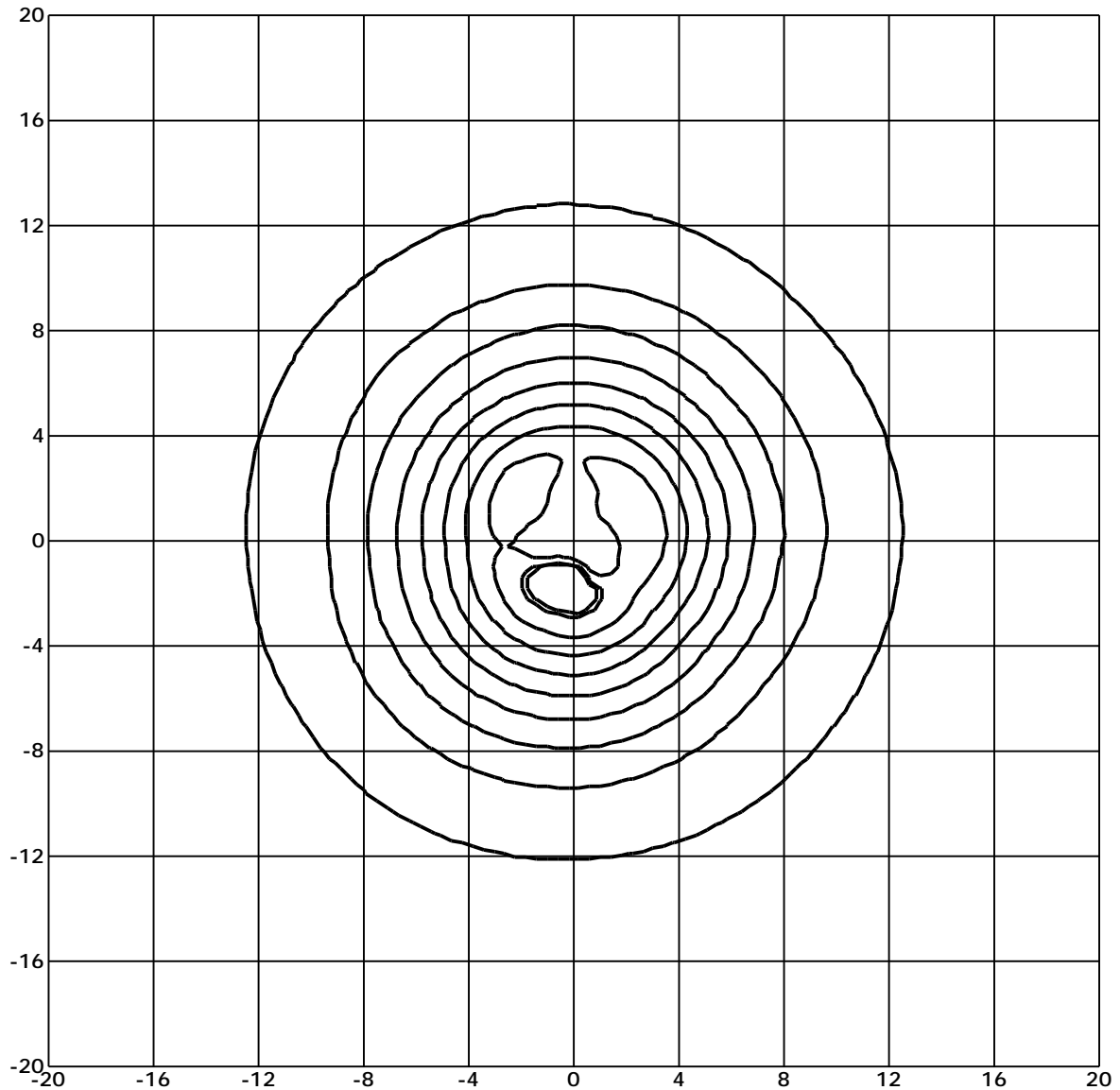
Test Distance: 5.95 m

Remarks:

Report No.:

Test Time: 2019/11/3 9:57:50

ISOLX DIAGRAM



Unit of illumination: lx Height of plane: 8.0(m)/26.25(ft)

- | | |
|------------------|------------------|
| —— 6.29(1%Emax) | —— 3.418(1%Emax) |
| —— 6.153(1%Emax) | —— 2.735(1%Emax) |
| —— 5.47(1%Emax) | —— 2.051(0%Emax) |
| —— 4.786(1%Emax) | —— 1.367(0%Emax) |
| —— 4.102(1%Emax) | —— 0.684(0%Emax) |

C Range: 0 - 360 Deg

C Interval: 45.0 Deg

Test Speed: High

Temperature:

Operators:

Test Date: 2019/11/3 9:57:50

G Range: 0 - 180 Deg

G Interval: 1.0 Deg

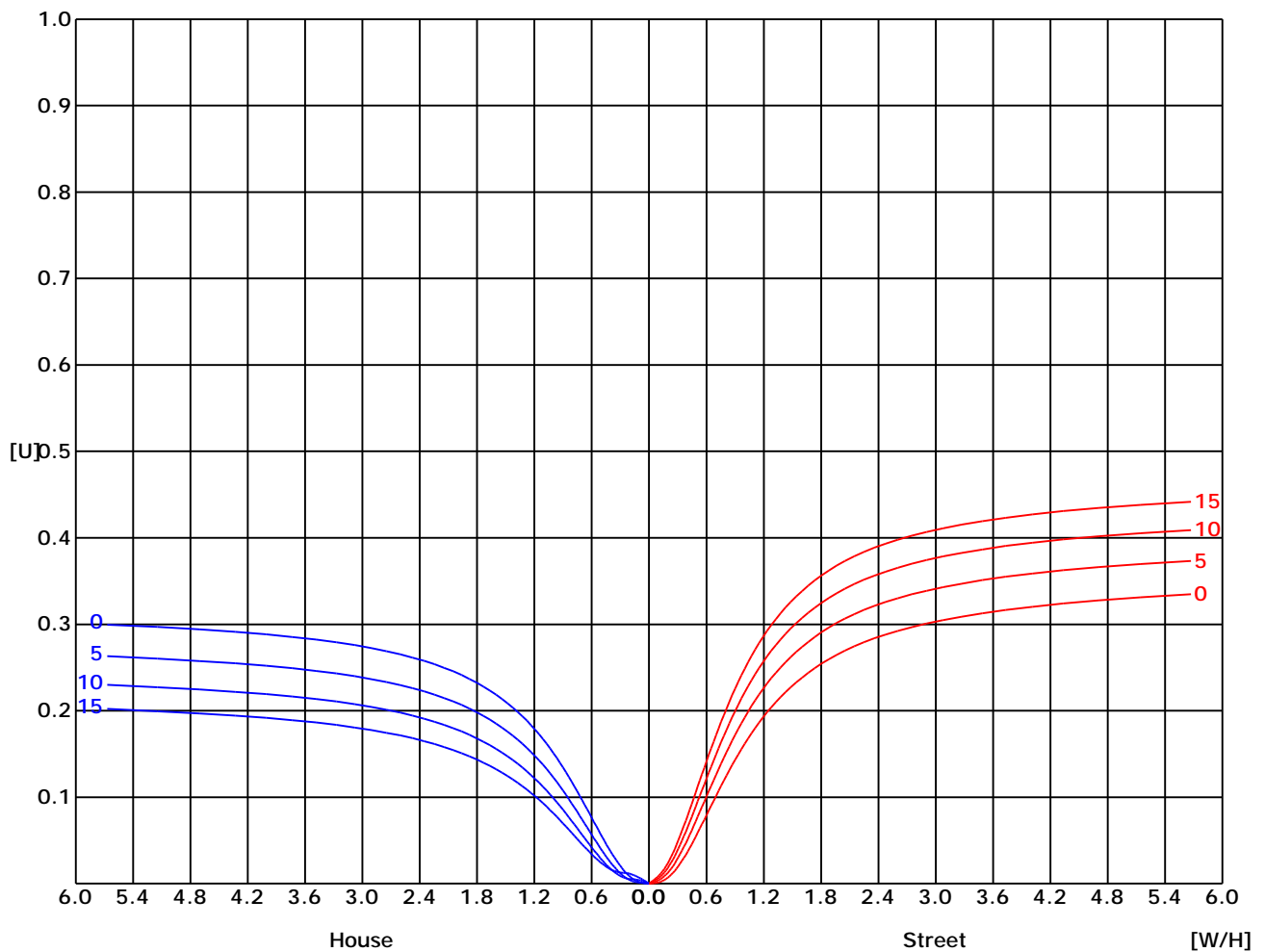
Test System: Huipu CPM-1800B Goniophotometer

Humidity:

Test Distance: 5.95 m

Remarks:

UTILIZATION FACTOR DIAGRAM (ROAD)

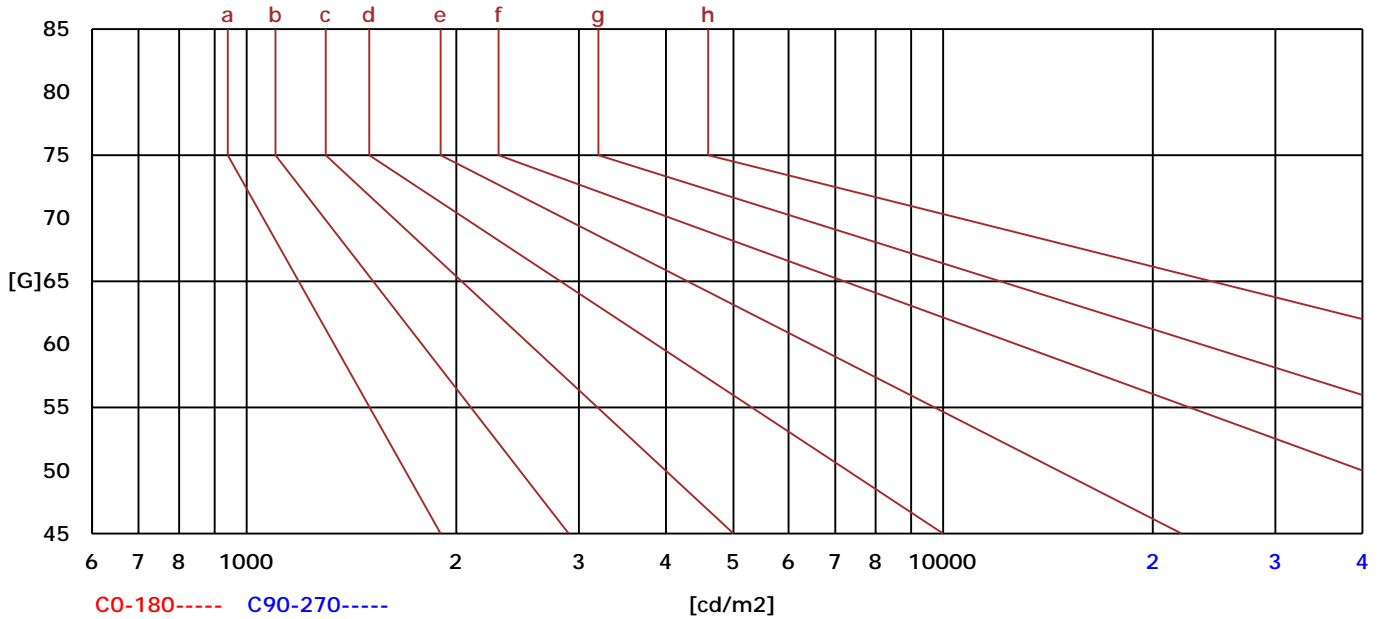


Report No.:

Test Time: 2019/11/3 9:57:50

BRIGHT LIMIT DIAGRAM

C/G	45	50	55	60	65	70	75	80	85
C0	0	0	0	0	0	0	0	0	0
C90	0	0	0	0	0	0	0	0	0
Dazzle	Quality	Illuminance	---	---	---	---	---	---	---
1.15	A	2000	1000	500	<=300				
1.5	B		2000	1000	500	<=300			
1.85	C			2000	1000	500	<=300		
2.2	D				2000	1000	500	<=300	
2.55	E					2000	1000	500	<=300
---	---	a	b	c	d	e	f	g	h



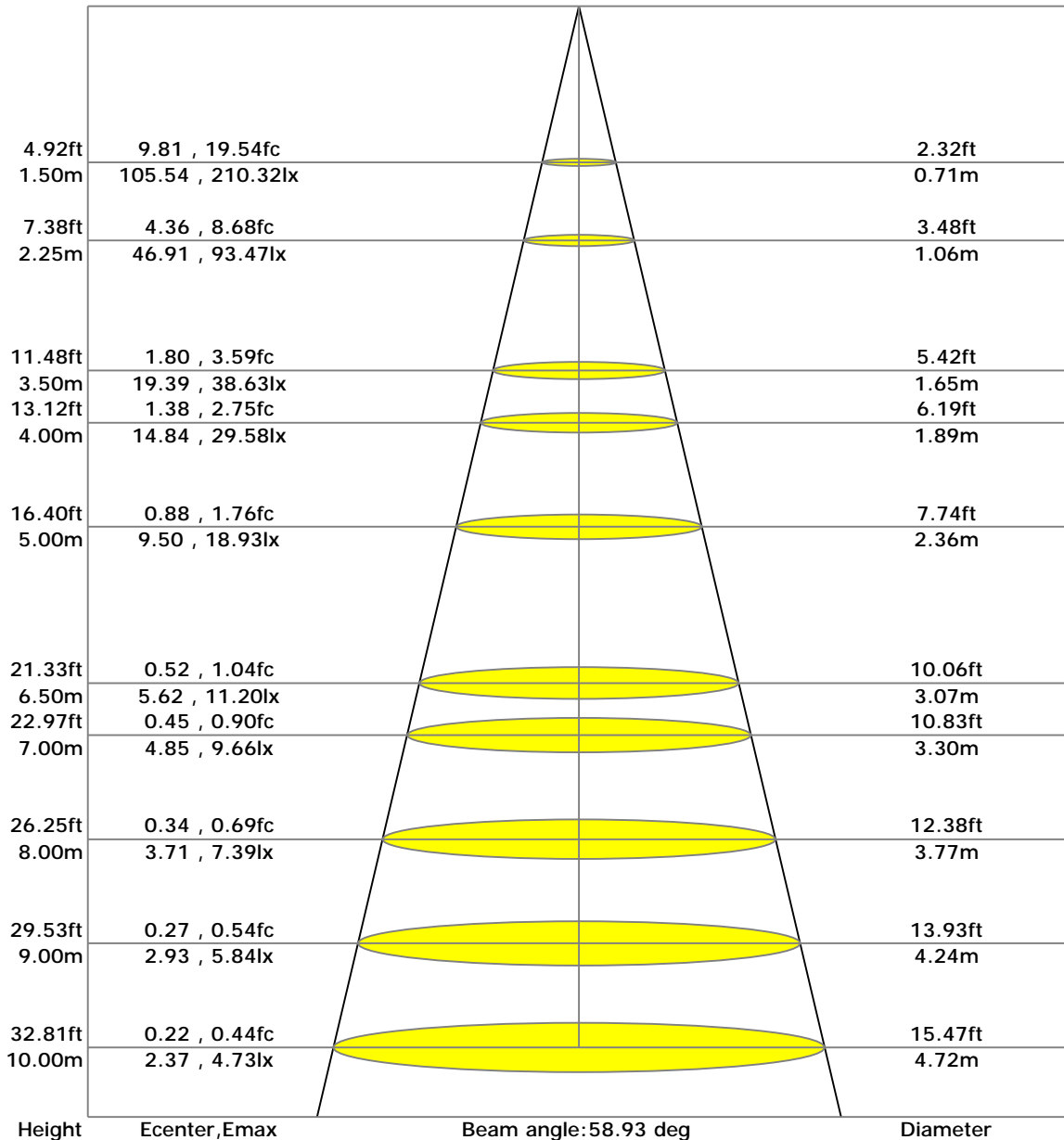
C Range: 0 - 360 Deg
 C Interval: 45.0 Deg
 Test Speed: High
 Temperature:
 Operators:
 Test Date: 2019/11/3 9:57:50

G Range: 0 - 180 Deg
 G Interval: 1.0 Deg
 Test System: Huipu CPM-1800B Goniophotometer
 Humidity:
 Test Distance: 5.95 m
 Remarks:

Report No.:

Test Time: 2019/11/3 9:57:50

LX-DISTANCE DIAGRAM



C Range: 0 - 360 Deg

C Interval: 45.0 Deg

Test Speed: High

Temperature:

Operators:

Test Date: 2019/11/3 9:57:50

G Range: 0 - 180 Deg

G Interval: 1.0 Deg

Test System: Huipu CPM-1800B Goniophotometer

Humidity:

Test Distance: 5.95 m

Remarks:

Report No.:

Test Time: 2019/11/3 9:57:50

UGR(Unified Glare Rating) TABLE

RHOCC		80	80	70	70	70	50	50	50	30	30
RHOW		50	30	10	50	30	10	50	30	10	50
RHOF		20	20	20	20	20	20	20	20	20	20
Room Size X Y		Weft to light axis direction of observation					Direction of light axis parallel observation				
2H	2H	19.32	19.04	18.82	19.05	18.74	18.48	18.37	18.02	17.72	17.46
	3H	17.64	17.30	17.05	17.44	17.03	16.71	16.90	16.41	16.00	16.17
	4H	16.35	15.99	15.75	16.20	15.75	15.42	15.76	15.19	14.74	15.16
	6H	15.34	14.99	14.75	15.21	14.76	14.44	14.85	14.24	13.79	14.34
	8H	14.53	14.19	13.97	14.42	13.97	13.67	14.10	13.49	13.04	13.67
	12H	13.87	13.55	13.34	13.77	13.33	13.04	13.49	12.87	12.44	13.11
4H	2H	13.32	13.02	12.83	13.23	12.81	12.54	12.97	12.37	11.95	12.63
	3H	12.86	12.58	12.40	12.77	12.37	12.11	12.53	11.94	11.54	12.21
	4H	12.48	12.20	12.04	12.38	12.00	11.76	12.15	11.58	11.20	11.85
	6H	12.14	11.89	11.73	12.05	11.68	11.46	11.82	11.27	10.90	11.53
	8H	11.86	11.61	11.47	11.76	11.41	11.20	11.53	11.00	10.65	11.25
	12H	11.61	11.38	11.24	11.51	11.17	10.97	11.28	10.77	10.44	11.01
8H	4H	11.39	11.17	11.04	11.28	10.97	10.77	11.05	10.56	10.25	10.78
	6H	11.20	10.99	10.86	11.09	10.79	10.60	10.85	10.38	10.08	10.58
	8H	11.02	10.83	10.71	10.91	10.62	10.45	10.67	10.22	9.93	10.40
	12H	10.87	10.68	10.57	10.76	10.48	10.31	10.51	10.08	9.80	10.24
12H	4H	10.74	10.55	10.45	10.62	10.35	10.19	10.37	9.95	9.69	10.09
	6H	10.61	10.44	10.34	10.49	10.24	10.09	10.23	9.83	9.58	9.96

C Range: 0 - 360 Deg
 C Interval: 45.0 Deg
 Test Speed: High
 Temperature:
 Operators:
 Test Date: 2019/11/3 9:57:50

G Range: 0 - 180 Deg
 G Interval: 1.0 Deg
 Test System: Huipu CPM-1800B Goniophotometer
 Humidity:
 Test Distance: 5.95 m
 Remarks:

Report No.:

Test Time: 2019/11/3 9:57:50

ZONAL LUMINOUS FLUX TABLE

Gamma [deg]	I _{mean} [cd]	Zonal Flux [lm]	Sum Flux [lm]	Zonal Flux [%]	Sum Flux [%]
0	220.13	0.00	0.00	0.00	0.00
5	235.62	5.55	5.55	0.19	0.19
10	322.53	21.23	26.78	0.73	0.92
15	408.99	45.94	72.72	1.57	2.49
20	441.84	71.47	144.20	2.45	4.94
25	448.56	93.90	238.09	3.22	8.16
30	442.37	112.59	350.68	3.86	12.01
35	427.28	127.12	477.81	4.35	16.37
40	403.16	136.80	614.61	4.69	21.05
45	372.37	141.07	755.68	4.83	25.89
50	333.23	139.12	894.80	4.77	30.65
55	295.00	132.98	1027.78	4.56	35.21
60	262.41	125.99	1153.77	4.32	39.52
65	225.13	114.83	1268.60	3.93	43.46
70	188.97	100.92	1369.53	3.46	46.91
75	162.31	88.88	1458.41	3.04	49.96
80	145.01	79.48	1537.89	2.72	52.68
85	128.99	73.44	1611.34	2.52	55.20
90	123.02	67.79	1679.12	2.32	57.52
95	128.89	69.43	1748.56	2.38	59.90
100	138.66	73.36	1821.92	2.51	62.41
105	155.17	80.78	1902.70	2.77	65.18
110	171.38	87.55	1990.24	3.00	68.18
115	188.32	92.82	2083.07	3.18	71.36
120	206.19	97.53	2180.60	3.34	74.70
125	226.41	102.36	2282.96	3.51	78.20
130	236.24	101.53	2384.49	3.48	81.68
135	231.57	94.33	2478.82	3.23	84.91
140	241.92	87.12	2565.95	2.98	87.90
145	261.88	86.00	2651.94	2.95	90.84
150	264.52	77.76	2729.70	2.66	93.51
155	254.94	65.86	2795.56	2.26	95.76
160	242.12	51.80	2847.36	1.77	97.54
165	212.50	36.96	2884.32	1.27	98.81
170	171.55	22.16	2906.49	0.76	99.56
175	132.57	10.22	2916.71	0.35	99.91
180	74.77	2.50	2919.21	0.09	100.00

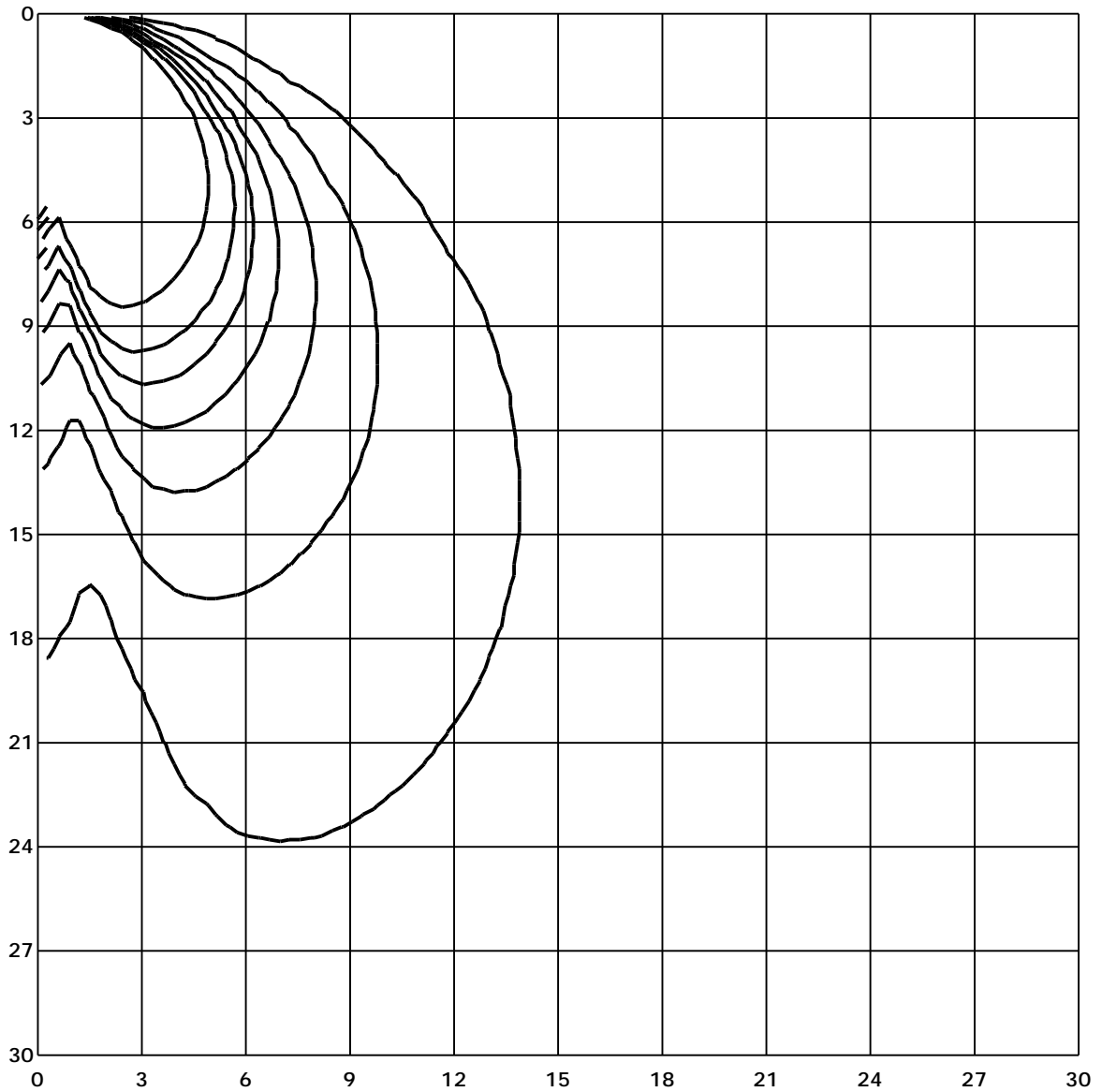
C Range: 0 - 360 Deg
 C Interval: 45.0 Deg
 Test Speed: High
 Temperature:
 Operators:
 Test Date: 2019/11/3 9:57:50

G Range: 0 - 180 Deg
 G Interval: 1.0 Deg
 Test System: Huipu CPM-1800B Goniophotometer
 Humidity:
 Test Distance: 5.95 m
 Remarks:

Report No.:

Test Time: 2019/11/3 9:57:50

SPACE ISOLX DIAGRAM



Unit of illumination: lx

- | | |
|----------|----------|
| —— 6.768 | —— 3.384 |
| —— 6.092 | —— 2.707 |
| —— 5.415 | —— 2.031 |
| —— 4.738 | —— 1.354 |
| —— 4.061 | —— 0.677 |

C Range: 0 - 360 Deg

C Interval: 45.0 Deg

Test Speed: High

Temperature:

Operators:

Test Date: 2019/11/3 9:57:50

G Range: 0 - 180 Deg

G Interval: 1.0 Deg

Test System: Huipu CPM-1800B Goniophotometer

Humidity:

Test Distance: 5.95 m

Remarks:

Report No.:

Test Time: 2019/11/3 9:57:50

LUMINOUS DISTRIBUTION INTENSITY DATA

Gamma/C	C0	C45	C90	C135	C180	C225	C270	C315	C360	
G0	237.47	210.24	226.74	206.07	237.47	210.24	226.74	206.07	237.47	
G1	232.83	201.64	217.57	207.45	241.86	235.87	246.57	199.94	232.83	
G2	217.57	193.29	205.04	207.48	237.15	266.39	279.07	195.37	217.57	
G3	208.69	194.52	201.53	207.41	233.86	283.7	297.19	188.61	208.69	
G4	190.77	211.02	198.21	209.61	228.44	321.62	335.89	189.39	190.77	
G5	184.36	226.39	198.45	212.58	226.78	338.26	374.09	193.0	184.36	
G6	188.44	264.55	201.78	223.2	226.95	370.9	408.43	207.13	188.44	
G7	213.08	307.14	207.73	249.82	234.71	401.35	422.59	228.55	213.08	
G8	249.82	326.97	211.16	267.95	241.36	415.15	441.35	241.33	249.82	
G9	272.09	362.76	220.26	309.62	259.63	437.81	447.37	270.71	272.09	
G10	318.75	378.33	226.21	330.89	270.71	445.6	456.22	286.71	318.75	
G11	359.57	401.7	242.6	370.55	296.31	455.87	462.59	319.35	359.57	
G12	374.44	415.86	263.81	403.82	322.22	461.88	465.07	337.8	374.44	
G13	397.81	421.53	276.3	417.98	336.35	463.65	468.61	366.65	397.81	
G14	415.51	430.02	303.21	437.46	359.92	466.13	471.09	388.6	415.51	
G15	422.59	436.75	316.95	443.83	370.19	466.84	471.8	396.04	422.59	
G16	434.27	439.58	343.99	453.39	387.54	466.84	472.86	407.01	434.27	
G17	438.87	444.54	358.15	459.76	394.27	466.49	473.21	411.26	438.87	
G18	445.24	448.08	379.75	462.24	404.18	465.42	472.86	417.98	445.24	
G19	449.49	449.49	398.87	465.78	411.26	465.07	472.15	422.59	449.49	
G20	451.26	451.97	407.01	467.19	414.09	463.65	471.44	424.0	451.26	
G21	453.39	453.74	419.76	468.61	418.69	461.53	469.67	426.48	453.39	
G22	454.1	454.45	429.67	468.96	421.88	460.47	468.61	427.19	454.1	
G23	454.45	455.16	433.56	468.61	423.3	458.34	466.13	427.9	454.45	
G24	453.74	455.87	439.23	467.9	424.71	456.22	463.3	427.54	453.74	
G25	453.39	455.51	443.47	466.84	425.42	454.8	461.53	427.19	453.39	
G26	451.62	455.16	444.54	464.72	425.42	452.33	458.34	425.42	451.62	
G27	450.56	454.8	446.66	463.65	425.07	450.91	456.57	424.36	450.56	
G28	448.08	453.39	447.02	460.47	423.65	448.08	452.33	421.88	448.08	
G29	444.89	451.62	447.02	456.93	422.94	446.66	450.2	418.69	444.89	
G30	443.12	450.2	445.6	454.8	420.82	443.47	445.95	416.92	443.12	
G31	439.23	447.37	443.83	450.56	417.63	439.93	441.0	413.03	439.23	
G32	437.1	445.6	442.41	445.95	416.21	438.16	438.16	408.07	437.1	
G33	432.5	441.35	439.23	443.47	412.67	433.92	432.85	405.59	432.5	
G34	430.02	439.23	437.46	438.16	410.9	432.15	430.02	400.28	430.02	
G35	425.07	433.56	433.56	432.5	406.3	427.54	423.65	394.97	425.07	
G36	419.4	427.54	428.61	429.31	401.7	422.59	416.92	391.79	419.4	

C Range: 0 - 360 Deg

C Interval: 45.0 Deg

Test Speed: High

Temperature:

Operators:

Test Date: 2019/11/3 9:57:50

G Range: 0 - 180 Deg

G Interval: 1.0 Deg

Test System: Huipu CPM-1800B Goniophotometer

Humidity:

Test Distance: 5.95 m

Remarks:

Report No.:

Test Time: 2019/11/3 9:57:50

LUMINOUS DISTRIBUTION INTENSITY DATA(Continue 1)

GammaC	C0	C45	C90	C135	C180	C225	C270	C315	C360	
G37	237.47	210.24	226.74	206.07	237.47	210.24	226.74	206.07	237.47	
G38	232.83	201.64	217.57	207.45	241.86	235.87	246.57	199.94	232.83	
G39	217.57	193.29	205.04	207.48	237.15	266.39	279.07	195.37	217.57	
G40	208.69	194.52	201.53	207.41	233.86	283.7	297.19	188.61	208.69	
G41	190.77	211.02	198.21	209.61	228.44	321.62	335.89	189.39	190.77	
G42	184.36	226.39	198.45	212.58	226.78	338.26	374.09	193.0	184.36	
G43	188.44	264.55	201.78	223.2	226.95	370.9	408.43	207.13	188.44	
G44	213.08	307.14	207.73	249.82	234.71	401.35	422.59	228.55	213.08	
G45	249.82	326.97	211.16	267.95	241.36	415.15	441.35	241.33	249.82	
G46	272.09	362.76	220.26	309.62	259.63	437.81	447.37	270.71	272.09	
G47	318.75	378.33	226.21	330.89	270.71	445.6	456.22	286.71	318.75	
G48	359.57	401.7	242.6	370.55	296.31	455.87	462.59	319.35	359.57	
G49	374.44	415.86	263.81	403.82	322.22	461.88	465.07	337.8	374.44	
G50	397.81	421.53	276.3	417.98	336.35	463.65	468.61	366.65	397.81	
G51	415.51	430.02	303.21	437.46	359.92	466.13	471.09	388.6	415.51	
G52	422.59	436.75	316.95	443.83	370.19	466.84	471.8	396.04	422.59	
G53	434.27	439.58	343.99	453.39	387.54	466.84	472.86	407.01	434.27	
G54	438.87	444.54	358.15	459.76	394.27	466.49	473.21	411.26	438.87	
G55	445.24	448.08	379.75	462.24	404.18	465.42	472.86	417.98	445.24	
G56	449.49	449.49	398.87	465.78	411.26	465.07	472.15	422.59	449.49	
G57	451.26	451.97	407.01	467.19	414.09	463.65	471.44	424.0	451.26	
G58	453.39	453.74	419.76	468.61	418.69	461.53	469.67	426.48	453.39	
G59	454.1	454.45	429.67	468.96	421.88	460.47	468.61	427.19	454.1	
G60	454.45	455.16	433.56	468.61	423.3	458.34	466.13	427.9	454.45	
G61	453.74	455.87	439.23	467.9	424.71	456.22	463.3	427.54	453.74	
G62	453.39	455.51	443.47	466.84	425.42	454.8	461.53	427.19	453.39	
G63	451.62	455.16	444.54	464.72	425.42	452.33	458.34	425.42	451.62	
G64	450.56	454.8	446.66	463.65	425.07	450.91	456.57	424.36	450.56	
G65	448.08	453.39	447.02	460.47	423.65	448.08	452.33	421.88	448.08	
G66	444.89	451.62	447.02	456.93	422.94	446.66	450.2	418.69	444.89	
G67	443.12	450.2	445.6	454.8	420.82	443.47	445.95	416.92	443.12	
G68	439.23	447.37	443.83	450.56	417.63	439.93	441.0	413.03	439.23	
G69	437.1	445.6	442.41	445.95	416.21	438.16	438.16	408.07	437.1	
G70	432.5	441.35	439.23	443.47	412.67	433.92	432.85	405.59	432.5	
G71	430.02	439.23	437.46	438.16	410.9	432.15	430.02	400.28	430.02	
G72	425.07	433.56	433.56	432.5	406.3	427.54	423.65	394.97	425.07	
G73	419.4	427.54	428.61	429.31	401.7	422.59	416.92	391.79	419.4	

C Range: 0 - 360 Deg

C Interval: 45.0 Deg

Test Speed: High

Temperature:

Operators:

Test Date: 2019/11/3 9:57:50

G Range: 0 - 180 Deg

G Interval: 1.0 Deg

Test System: Huipu CPM-1800B Goniophotometer

Humidity:

Test Distance: 5.95 m

Remarks:

Report No.:

Test Time: 2019/11/3 9:57:50

LUMINOUS DISTRIBUTION INTENSITY DATA(Continue 2)

GammaC	C0	C45	C90	C135	C180	C225	C270	C315	C360	
G74	237.47	210.24	226.74	206.07	237.47	210.24	226.74	206.07	237.47	
G75	232.83	201.64	217.57	207.45	241.86	235.87	246.57	199.94	232.83	
G76	217.57	193.29	205.04	207.48	237.15	266.39	279.07	195.37	217.57	
G77	208.69	194.52	201.53	207.41	233.86	283.7	297.19	188.61	208.69	
G78	190.77	211.02	198.21	209.61	228.44	321.62	335.89	189.39	190.77	
G79	184.36	226.39	198.45	212.58	226.78	338.26	374.09	193.0	184.36	
G80	188.44	264.55	201.78	223.2	226.95	370.9	408.43	207.13	188.44	
G81	213.08	307.14	207.73	249.82	234.71	401.35	422.59	228.55	213.08	
G82	249.82	326.97	211.16	267.95	241.36	415.15	441.35	241.33	249.82	
G83	272.09	362.76	220.26	309.62	259.63	437.81	447.37	270.71	272.09	
G84	318.75	378.33	226.21	330.89	270.71	445.6	456.22	286.71	318.75	
G85	359.57	401.7	242.6	370.55	296.31	455.87	462.59	319.35	359.57	
G86	374.44	415.86	263.81	403.82	322.22	461.88	465.07	337.8	374.44	
G87	397.81	421.53	276.3	417.98	336.35	463.65	468.61	366.65	397.81	
G88	415.51	430.02	303.21	437.46	359.92	466.13	471.09	388.6	415.51	
G89	422.59	436.75	316.95	443.83	370.19	466.84	471.8	396.04	422.59	
G90	434.27	439.58	343.99	453.39	387.54	466.84	472.86	407.01	434.27	
G91	438.87	444.54	358.15	459.76	394.27	466.49	473.21	411.26	438.87	
G92	445.24	448.08	379.75	462.24	404.18	465.42	472.86	417.98	445.24	
G93	449.49	449.49	398.87	465.78	411.26	465.07	472.15	422.59	449.49	
G94	451.26	451.97	407.01	467.19	414.09	463.65	471.44	424.0	451.26	
G95	453.39	453.74	419.76	468.61	418.69	461.53	469.67	426.48	453.39	
G96	454.1	454.45	429.67	468.96	421.88	460.47	468.61	427.19	454.1	
G97	454.45	455.16	433.56	468.61	423.3	458.34	466.13	427.9	454.45	
G98	453.74	455.87	439.23	467.9	424.71	456.22	463.3	427.54	453.74	
G99	453.39	455.51	443.47	466.84	425.42	454.8	461.53	427.19	453.39	
G100	451.62	455.16	444.54	464.72	425.42	452.33	458.34	425.42	451.62	
G101	450.56	454.8	446.66	463.65	425.07	450.91	456.57	424.36	450.56	
G102	448.08	453.39	447.02	460.47	423.65	448.08	452.33	421.88	448.08	
G103	444.89	451.62	447.02	456.93	422.94	446.66	450.2	418.69	444.89	
G104	443.12	450.2	445.6	454.8	420.82	443.47	445.95	416.92	443.12	
G105	439.23	447.37	443.83	450.56	417.63	439.93	441.0	413.03	439.23	
G106	437.1	445.6	442.41	445.95	416.21	438.16	438.16	408.07	437.1	
G107	432.5	441.35	439.23	443.47	412.67	433.92	432.85	405.59	432.5	
G108	430.02	439.23	437.46	438.16	410.9	432.15	430.02	400.28	430.02	
G109	425.07	433.56	433.56	432.5	406.3	427.54	423.65	394.97	425.07	
G110	419.4	427.54	428.61	429.31	401.7	422.59	416.92	391.79	419.4	

C Range: 0 - 360 Deg

C Interval: 45.0 Deg

Test Speed: High

Temperature:

Operators:

Test Date: 2019/11/3 9:57:50

G Range: 0 - 180 Deg

G Interval: 1.0 Deg

Test System: Huipu CPM-1800B Goniophotometer

Humidity:

Test Distance: 5.95 m

Remarks:

Report No.:

Test Time: 2019/11/3 9:57:50

LUMINOUS DISTRIBUTION INTENSITY DATA(Continue 3)

GammaC	C0	C45	C90	C135	C180	C225	C270	C315	C360	
G111	237.47	210.24	226.74	206.07	237.47	210.24	226.74	206.07	237.47	
G112	232.83	201.64	217.57	207.45	241.86	235.87	246.57	199.94	232.83	
G113	217.57	193.29	205.04	207.48	237.15	266.39	279.07	195.37	217.57	
G114	208.69	194.52	201.53	207.41	233.86	283.7	297.19	188.61	208.69	
G115	190.77	211.02	198.21	209.61	228.44	321.62	335.89	189.39	190.77	
G116	184.36	226.39	198.45	212.58	226.78	338.26	374.09	193.0	184.36	
G117	188.44	264.55	201.78	223.2	226.95	370.9	408.43	207.13	188.44	
G118	213.08	307.14	207.73	249.82	234.71	401.35	422.59	228.55	213.08	
G119	249.82	326.97	211.16	267.95	241.36	415.15	441.35	241.33	249.82	
G120	272.09	362.76	220.26	309.62	259.63	437.81	447.37	270.71	272.09	
G121	318.75	378.33	226.21	330.89	270.71	445.6	456.22	286.71	318.75	
G122	359.57	401.7	242.6	370.55	296.31	455.87	462.59	319.35	359.57	
G123	374.44	415.86	263.81	403.82	322.22	461.88	465.07	337.8	374.44	
G124	397.81	421.53	276.3	417.98	336.35	463.65	468.61	366.65	397.81	
G125	415.51	430.02	303.21	437.46	359.92	466.13	471.09	388.6	415.51	
G126	422.59	436.75	316.95	443.83	370.19	466.84	471.8	396.04	422.59	
G127	434.27	439.58	343.99	453.39	387.54	466.84	472.86	407.01	434.27	
G128	438.87	444.54	358.15	459.76	394.27	466.49	473.21	411.26	438.87	
G129	445.24	448.08	379.75	462.24	404.18	465.42	472.86	417.98	445.24	
G130	449.49	449.49	398.87	465.78	411.26	465.07	472.15	422.59	449.49	
G131	451.26	451.97	407.01	467.19	414.09	463.65	471.44	424.0	451.26	
G132	453.39	453.74	419.76	468.61	418.69	461.53	469.67	426.48	453.39	
G133	454.1	454.45	429.67	468.96	421.88	460.47	468.61	427.19	454.1	
G134	454.45	455.16	433.56	468.61	423.3	458.34	466.13	427.9	454.45	
G135	453.74	455.87	439.23	467.9	424.71	456.22	463.3	427.54	453.74	
G136	453.39	455.51	443.47	466.84	425.42	454.8	461.53	427.19	453.39	
G137	451.62	455.16	444.54	464.72	425.42	452.33	458.34	425.42	451.62	
G138	450.56	454.8	446.66	463.65	425.07	450.91	456.57	424.36	450.56	
G139	448.08	453.39	447.02	460.47	423.65	448.08	452.33	421.88	448.08	
G140	444.89	451.62	447.02	456.93	422.94	446.66	450.2	418.69	444.89	
G141	443.12	450.2	445.6	454.8	420.82	443.47	445.95	416.92	443.12	
G142	439.23	447.37	443.83	450.56	417.63	439.93	441.0	413.03	439.23	
G143	437.1	445.6	442.41	445.95	416.21	438.16	438.16	408.07	437.1	
G144	432.5	441.35	439.23	443.47	412.67	433.92	432.85	405.59	432.5	
G145	430.02	439.23	437.46	438.16	410.9	432.15	430.02	400.28	430.02	
G146	425.07	433.56	433.56	432.5	406.3	427.54	423.65	394.97	425.07	
G147	419.4	427.54	428.61	429.31	401.7	422.59	416.92	391.79	419.4	

C Range: 0 - 360 Deg

C Interval: 45.0 Deg

Test Speed: High

Temperature:

Operators:

Test Date: 2019/11/3 9:57:50

G Range: 0 - 180 Deg

G Interval: 1.0 Deg

Test System: Huipu CPM-1800B Goniophotometer

Humidity:

Test Distance: 5.95 m

Remarks:

Report No.:

Test Time: 2019/11/3 9:57:50

LUMINOUS DISTRIBUTION INTENSITY DATA(Continue 4)

GammaC	C0	C45	C90	C135	C180	C225	C270	C315	C360	
G148	237.47	210.24	226.74	206.07	237.47	210.24	226.74	206.07	237.47	
G149	232.83	201.64	217.57	207.45	241.86	235.87	246.57	199.94	232.83	
G150	217.57	193.29	205.04	207.48	237.15	266.39	279.07	195.37	217.57	
G151	208.69	194.52	201.53	207.41	233.86	283.7	297.19	188.61	208.69	
G152	190.77	211.02	198.21	209.61	228.44	321.62	335.89	189.39	190.77	
G153	184.36	226.39	198.45	212.58	226.78	338.26	374.09	193.0	184.36	
G154	188.44	264.55	201.78	223.2	226.95	370.9	408.43	207.13	188.44	
G155	213.08	307.14	207.73	249.82	234.71	401.35	422.59	228.55	213.08	
G156	249.82	326.97	211.16	267.95	241.36	415.15	441.35	241.33	249.82	
G157	272.09	362.76	220.26	309.62	259.63	437.81	447.37	270.71	272.09	
G158	318.75	378.33	226.21	330.89	270.71	445.6	456.22	286.71	318.75	
G159	359.57	401.7	242.6	370.55	296.31	455.87	462.59	319.35	359.57	
G160	374.44	415.86	263.81	403.82	322.22	461.88	465.07	337.8	374.44	
G161	397.81	421.53	276.3	417.98	336.35	463.65	468.61	366.65	397.81	
G162	415.51	430.02	303.21	437.46	359.92	466.13	471.09	388.6	415.51	
G163	422.59	436.75	316.95	443.83	370.19	466.84	471.8	396.04	422.59	
G164	434.27	439.58	343.99	453.39	387.54	466.84	472.86	407.01	434.27	
G165	438.87	444.54	358.15	459.76	394.27	466.49	473.21	411.26	438.87	
G166	445.24	448.08	379.75	462.24	404.18	465.42	472.86	417.98	445.24	
G167	449.49	449.49	398.87	465.78	411.26	465.07	472.15	422.59	449.49	
G168	451.26	451.97	407.01	467.19	414.09	463.65	471.44	424.0	451.26	
G169	453.39	453.74	419.76	468.61	418.69	461.53	469.67	426.48	453.39	
G170	454.1	454.45	429.67	468.96	421.88	460.47	468.61	427.19	454.1	
G171	454.45	455.16	433.56	468.61	423.3	458.34	466.13	427.9	454.45	
G172	453.74	455.87	439.23	467.9	424.71	456.22	463.3	427.54	453.74	
G173	453.39	455.51	443.47	466.84	425.42	454.8	461.53	427.19	453.39	
G174	451.62	455.16	444.54	464.72	425.42	452.33	458.34	425.42	451.62	
G175	450.56	454.8	446.66	463.65	425.07	450.91	456.57	424.36	450.56	
G176	448.08	453.39	447.02	460.47	423.65	448.08	452.33	421.88	448.08	
G177	444.89	451.62	447.02	456.93	422.94	446.66	450.2	418.69	444.89	
G178	443.12	450.2	445.6	454.8	420.82	443.47	445.95	416.92	443.12	
G179	439.23	447.37	443.83	450.56	417.63	439.93	441.0	413.03	439.23	
G180	437.1	445.6	442.41	445.95	416.21	438.16	438.16	408.07	437.1	

C Range: 0 - 360 Deg
 C Interval: 45.0 Deg
 Test Speed: High
 Temperature:
 Operators:
 Test Date: 2019/11/3 9:57:50

G Range: 0 - 180 Deg
 G Interval: 1.0 Deg
 Test System: Huipu CPM-1800B Goniophotometer
 Humidity:
 Test Distance: 5.95 m
 Remarks: